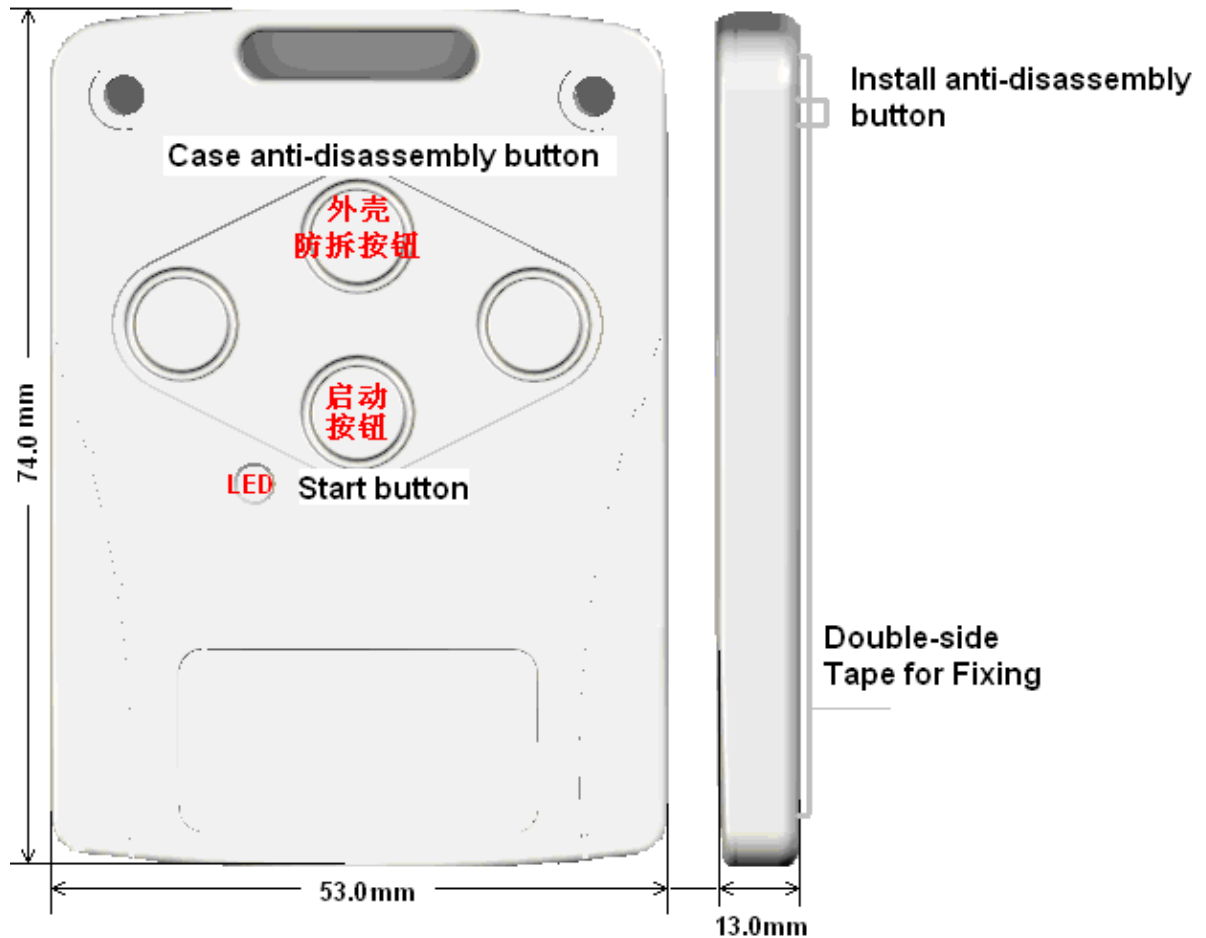




## AID2400ZB Manual

### I. Using Method of AID2400ZBS\_A

#### 1. Dimension of AID2400ZBS\_A



#### 2. Working Mode of AID2400ZBS\_A

- 1). The ex-factory state of AID2400ZBS\_A is in sleeping state, it does not send wireless signal, it is low power-consumption. It is convenient for transportation and stock.
- 2). Press the start button for 3 seconds, the tag starts and enter into the working mode. It will send ID information in every 1.2s. The working time lasts 0.9ms, the rest time it will enter sleeping. The red LED will flash once when it sends data once.
- 3) After AID2400ZBS\_A starts 1 minute, the anti-disassembly function of AID2400ZBS\_A case will start.
- 4) When use double-side tape to install AID2400ZBS\_A to the position, the anti-disassembly button will be activated, 1 minute later, the install anti-disassembly function will start.



5) If there is anti-disassembly happens, AID2400ZBS\_A will send the corresponding alarm state and will keep in the state.

## II. Using Method of AID2400ZBS\_B

### 1. Dimension of AID2400ZBS\_B: (Tag)



### 2. Working mode of AID2400ZBS\_B: (tag)

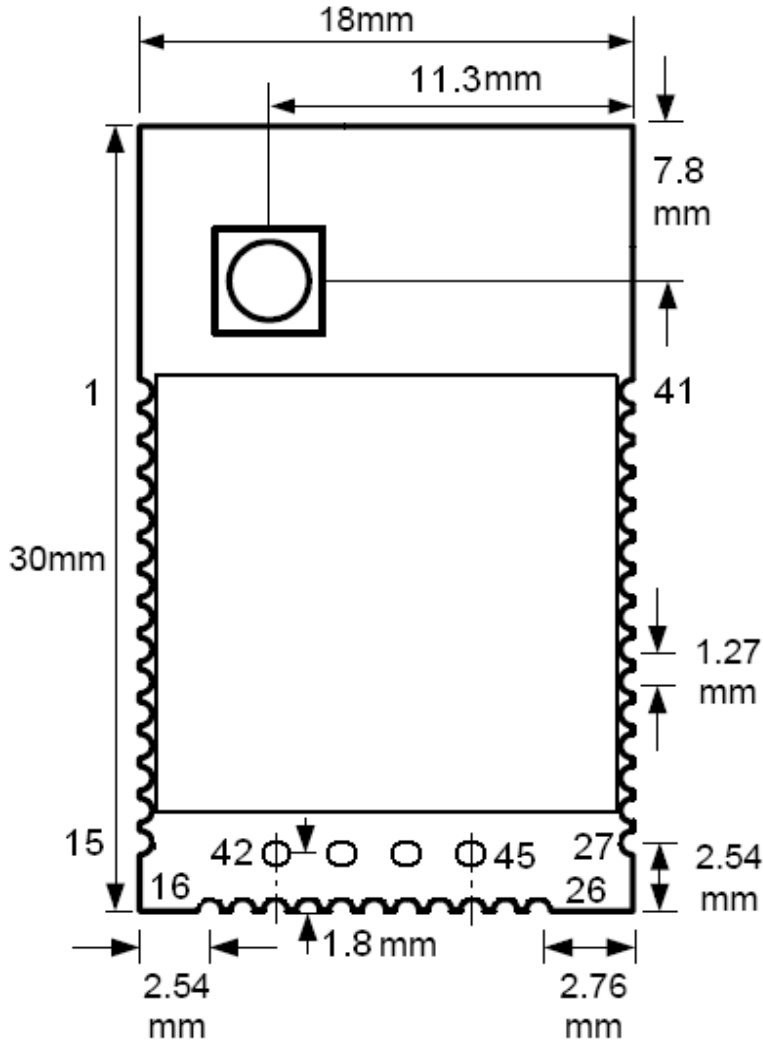
1).The ex-factory state of AID2400ZBS\_B is sleeping state, it does not send wireless signal, it is low power-consumption. It is convenient for transportation and stock.

2). Press the start button for 3 seconds, the tag starts and enters into working mode, it will send ID information every 2.5s, and the working time lasts 0.9ms, the rest time it sleeps. The red LED will flash once when it sends data once.



III. Using Method of AID2400ZBM\_A

1. Dimension of AID2400ZBM\_A



2. Pin Definition of AID2400ZBM\_A

PIN	DEFINATION	Input/Output	description
18	TXD	Out	Serial data output
19	RXD	In	Serial data input
24	VCC	In	power, 3.0~3.6V
25	GND		ground
42	TXD	Out	Serial data output
43	RXD	In	Serial data input

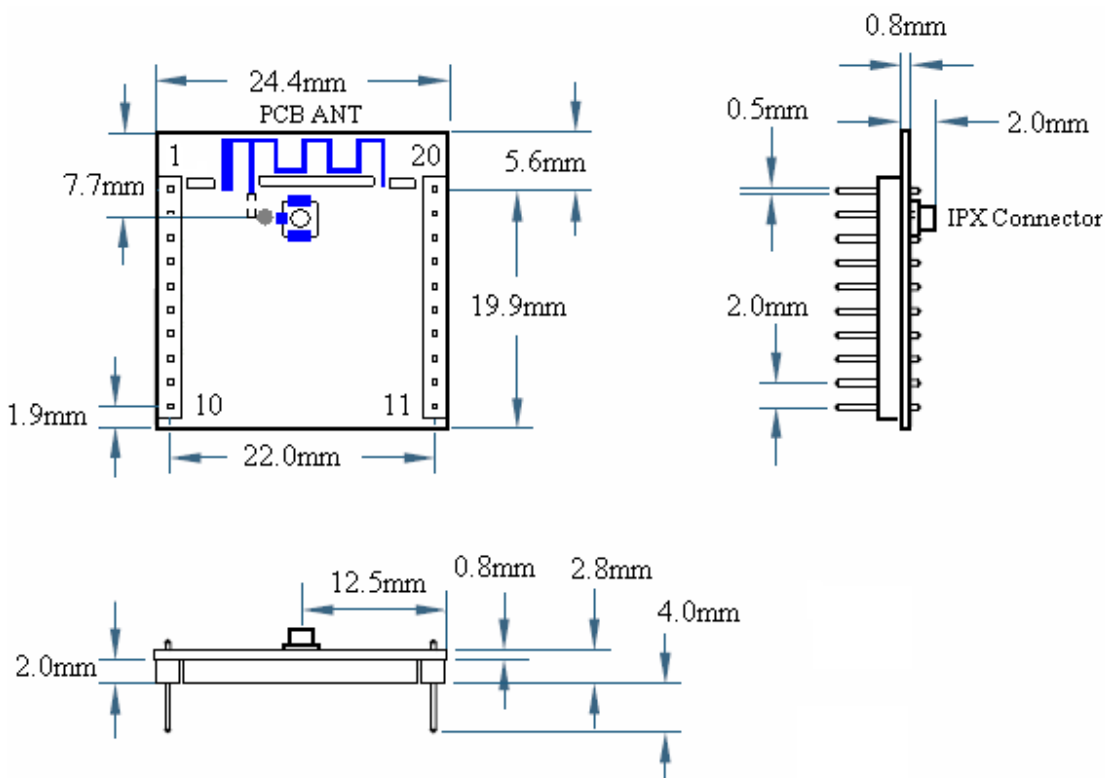


## Shenzhen HAC Telecom Technology Co., Ltd

44	VCC	In	power, 3.0~3.6V
45	GND		ground
Do not need connect other pins. When using, select one group randomly.			

### IV. Using Method of AID2400ZBM\_B

#### 1. Dimension of AID2400ZBM\_B



#### 2. Pin Definition of AID2400ZBM\_B

PIN	DEFINATION	Input/Output	description
1	VCC	In	power, 3.0~3.6V
2	TXD	Out	Serial data output
3	RXD	In	Serial data input
5	RESET	In	Low level reset
10	GND		ground
Do not need connect other pins			



## Shenzhen HAC Telecom Technology Co., Ltd

### 3. Antenna

1) PCB antenna

2) whip antenna

3) external antenna



4. AID2400ZBM\_B/MU can use USB port to charge. On the same time, it will transfer USB port to a virtual serial port. You need to install the driver of USB to virtual serial port. The driver software is: [PL2303\\_Prolific\\_DriverInstaller\\_v130.exe](#). You can refer to [PL2303\\_Prolific\\_DriverInstaller\\_v130\\_releasenote.txt](#) to know more about how to install the USB to serial port driver..



After the installation, the device manager of PC will add a new serial port, and then you can use ScmAssistant to receive the information send from the RFID. (please install the [Terminal.exe](#) for ScmAssistant)



V. Serial Data Protocol

The serial port of AID2400ZBM(the receiver) outputs the information of AID2400ZBS(the tag) on 38400bps, 8N1 data format. The protocol of information is shown as following:( HEX):

24 UID1 UID0 ID3 ID2 ID1 ID0 S V RV1 RV2 TS RSSI CS

24: Frame head

UID1 UID0: Category ID number

ID3 ID2 ID1 ID0: ID number of AID2400ZBS

S: State word

State bit	Definition
S7S6 S5 S4	0: AID2400ZBS_A start working, anti- disassemble function does not start 1: AID2400ZBS_A only case anti- disassemble function 2: AID2400ZBS_A only fixed anti- disassemble function 3: the 2 kinds of anti- disassemble functions start 4: AID2400ZBS_A case was disassembled, the fixed anti-disassemble function does not start 5: AID2400ZBS_A the fixed disassemble happens, case anti-disassemble function does not start 6:AID2400ZBS_A The case disassemble happens, fixed anti-disassemble function starts 7: AID2400ZBS_A The fixed anti-disassemble happens 8: happened 2 kinds of disassemble 9~15: reservation
S3S2 S1 S0	reservation

V: voltage of battery

VCC= (BV/256)\*3.45, if the battery is lower than 2.5V ,the state is under-voltage.

RV1 RV2: reserve 2 byte

TS: Serial number of transmitting

RSSI: The strength of transmitting signal

CS: The low byte of the previous data check sum



Shenzhen HAC Telecom Technology Co., Ltd

## **VI. Parameter**

Modulation : QPSK  
Spread spectrum: DSSS  
Working frequency: 2.475GHz  
Transmitting power: 4dBm  
Receiving sensitivity: -97 dBm  
Bandwidth of channel: 2MHz  
Working temperature: -40°C ~ 80°C  
longevity: 5years  
transmitting distance: 100 meters